

PC 175/75 HG



Sample image

Order symbol : PC 175/75 HG

Product nr : 6011320

UL Code : 6411320

UL Name : UL PC 175/75 HG

Description : Enclosure, PC

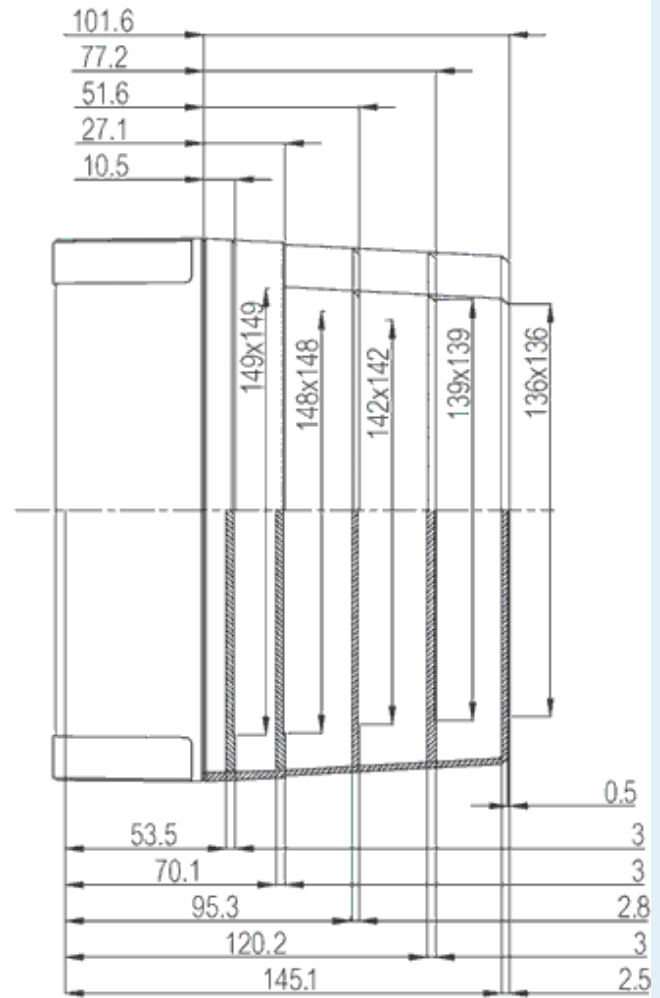
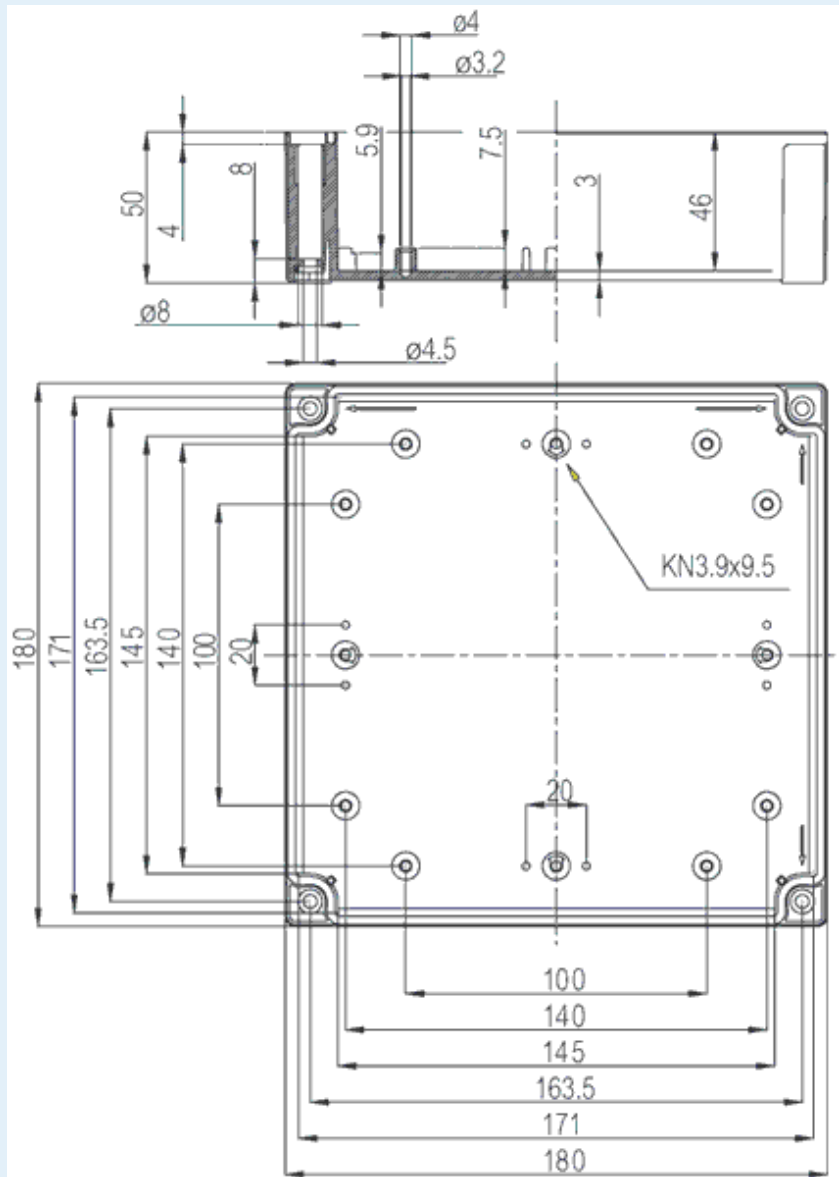
Remarks : High base, grey cover

Including : Base with TPE gasket. screws for mounting plate/DIN-rail and cover with polyamide cover screws.

EAN : 6418074024411

El. number :

- Finland : 3422252
- Denmark : 8212022645
- Sweden : 2535564



Dimensions :	Height	Width	Depth
mm :	180	180	75
inch :	7.09	7.09	2.95

Materials :

Material :	Polycarbonate
Base colour :	RAL 7035 -light grey
Cover colour :	RAL 7035 -light grey
Gasket material :	Polyurethane

Temperatures :

Temperature °C (short term) :	-40 ... 120
Temperature °C (continuous) :	-40 ... 80
Temperature °F (short term) :	-40 ... 250
Temperature °F (continuous) :	-40 ... 175

Accessories :

MIV 175	Mounting plate (Galvanized steel), for enclosures: (148 x 148 x 1)
FP A 175/180	Front plate (Aluminium), for enclosures: (170 x 162 x 1)
HFP 180	Front plate hinge series
MIN 15	DIN-15 Mounting rail, for enclosures: (150 x 15 x 1)
MIV 15	DIN-35 Mounting rail, for enclosures: (150 x 35 x 1)
FP 22046	Wall fastening lug (4 pcs)

Rating :

Ingress protection (EN 60529):	IP66; IP67;
Impact Resistance (EN 62262):	IK08;
Electrical insulation :	Totally insulated
Halogen free (DIN/VDE 0472, Part 815):	1
UV resistance :	UL 508

Flammability Rating : UL 746C 5"

Glow Wire Test (IEC 695-2-1) °C : 960 °C

NEMA Class

Certificates :

Certificate FI 40847