

# PC 100/60 HG



Sample image

**Order symbol** : PC 100/60 HG

**Product nr** : 6011301

UL Code : 6411301

UL Name : UL PC 100/60 HG

**Description** : Enclosure, PC

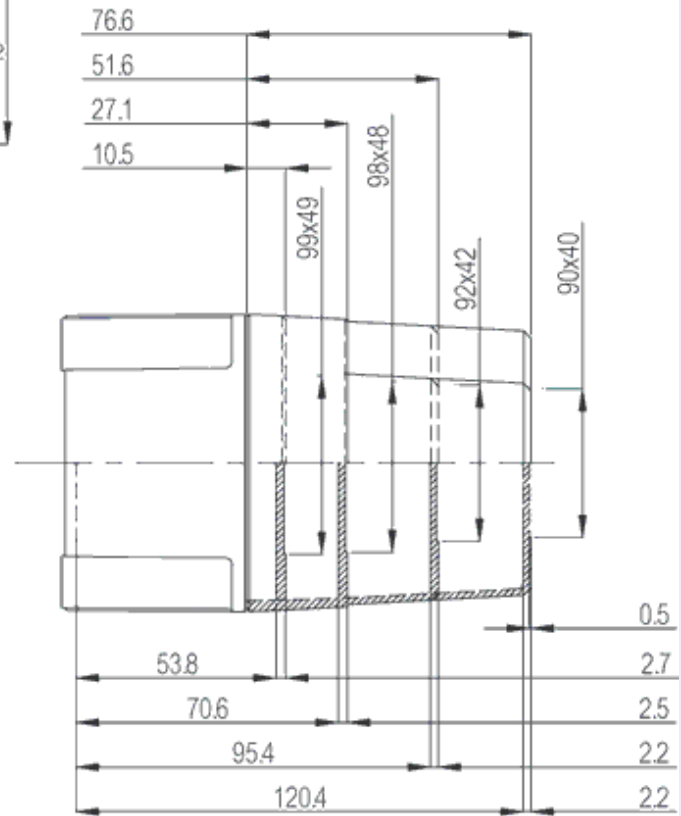
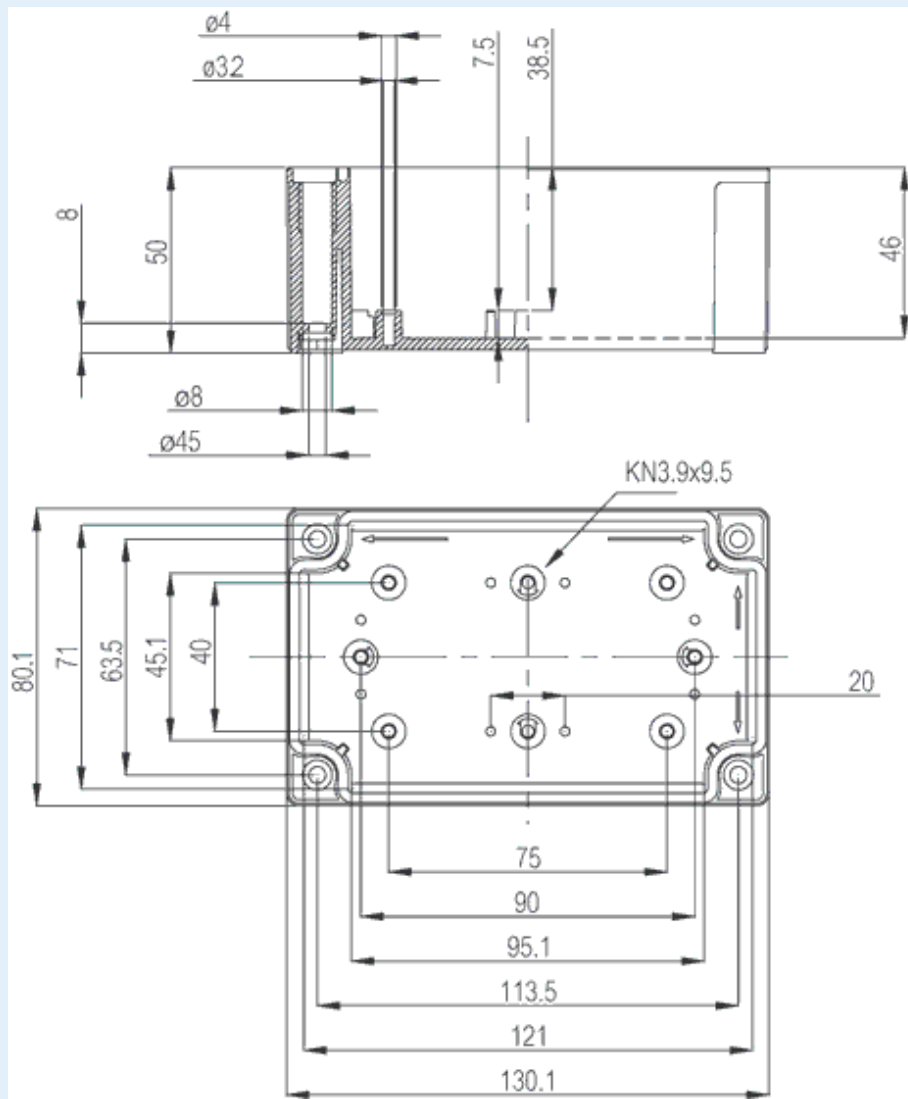
**Remarks** : High base, grey cover

**Including** : Base with TPE gasket. screws for mounting plate/DIN-rail and cover with polyamide cover screws.

**EAN** : 6418074022042

**El. number** :

- Finland : 3420311
- Denmark : 8212022030
- Sweden : 2535512



Dimensions :	Height	Width	Depth
mm :	130	80	60
inch :	5.12	3.15	2.36

#### Materials :

Material :	Polycarbonate
Base colour :	RAL 7035 -light grey
Cover colour :	RAL 7035 -light grey
Gasket material :	Polyurethane

#### Temperatures :

Temperature °C (short term) :	-40 ... 120
Temperature °C (continuous) :	-40 ... 80
Temperature °F (short term) :	-40 ... 250
Temperature °F (continuous) :	-40 ... 175

#### Accessories :

MIV 10	DIN-35 Mounting rail, for enclosures: (100 x 35 x 1)
MIV 5	DIN-35 Mounting rail, for enclosures: (50 x 35 x 1)
HFP 130	Front plate hinge series
MIN 5	DIN-15 Mounting rail, for enclosures: (50 x 15 x 1)
MIV 100	Mounting plate (Galvanized steel), for enclosures: (98 x 48 x 1)
MIN 10	DIN-15 Mounting rail, for enclosures: (100 x 15 x 1)
FP 22046	Wall fastening lug (4 pcs)
FP A 100/130	Front plate (Aluminium), for enclosures: (120 x 62 x 1)

#### Rating :

Ingress protection (EN 60529):	IP66; IP67;
Impact Resistance (EN 62262):	IK08;
Electrical insulation :	Totally insulated
Halogen free (DIN/VDE 0472, Part 815):	1

UV resistance :	UL 508
Flammability Rating :	UL 746C 5"
Glow Wire Test (IEC 695-2-1) °C :	960 °C
NEMA Class	

**Certificates :**

Certificate FI 40847